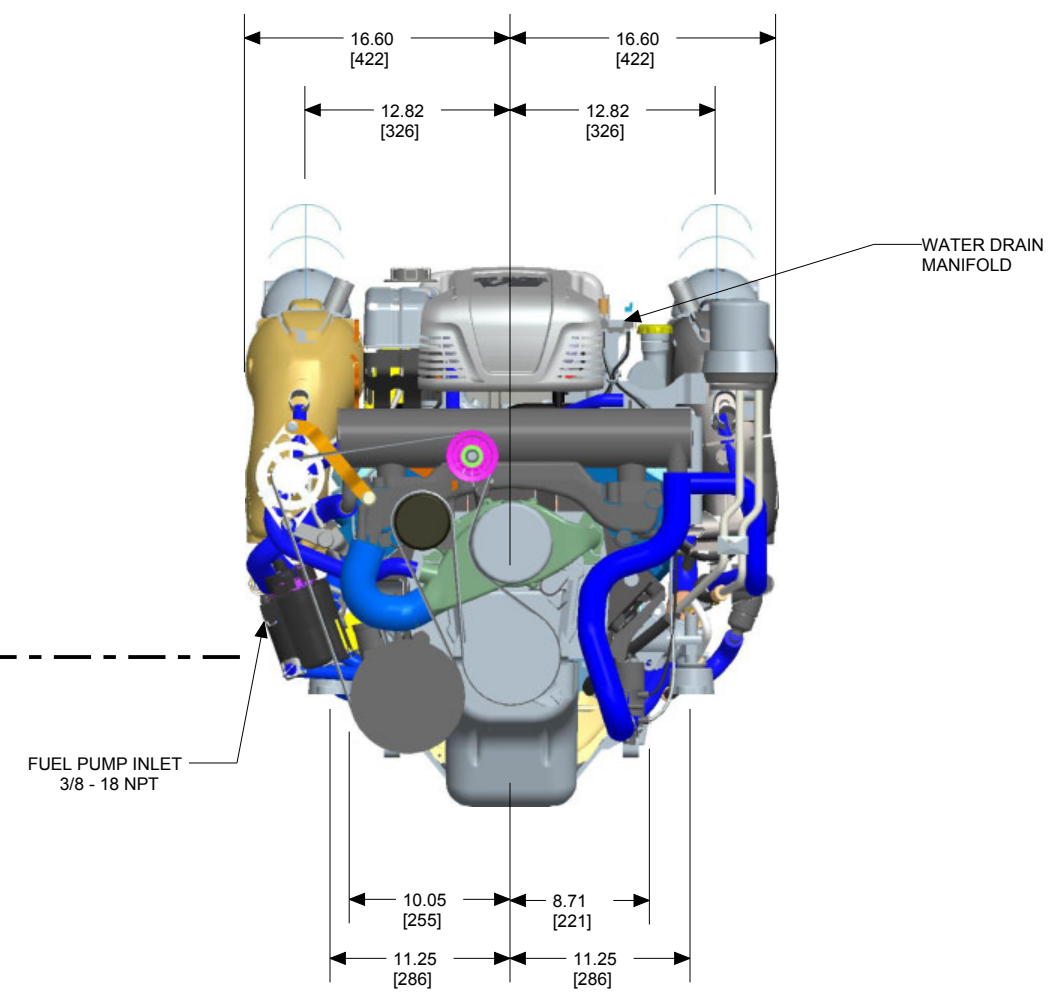
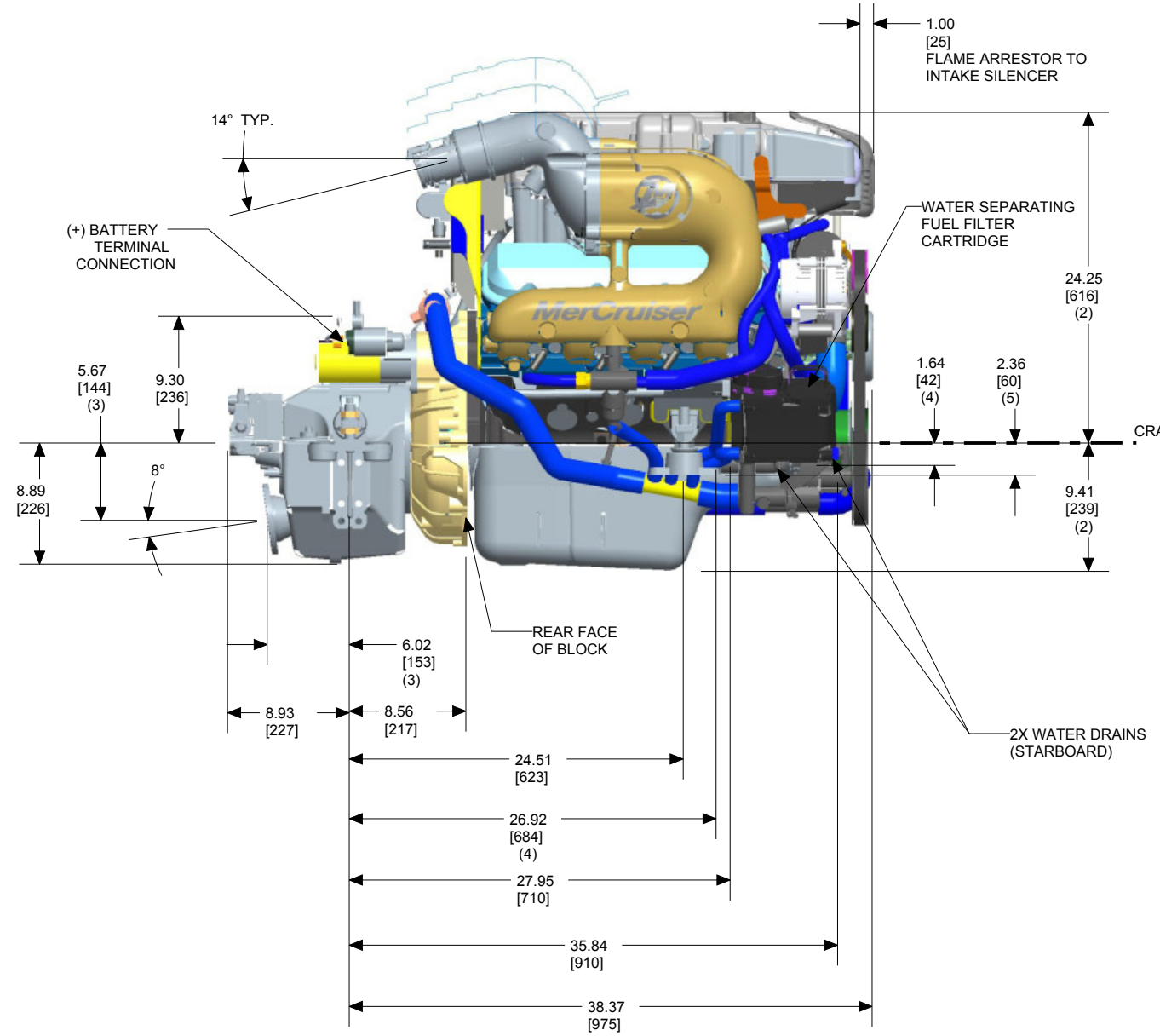
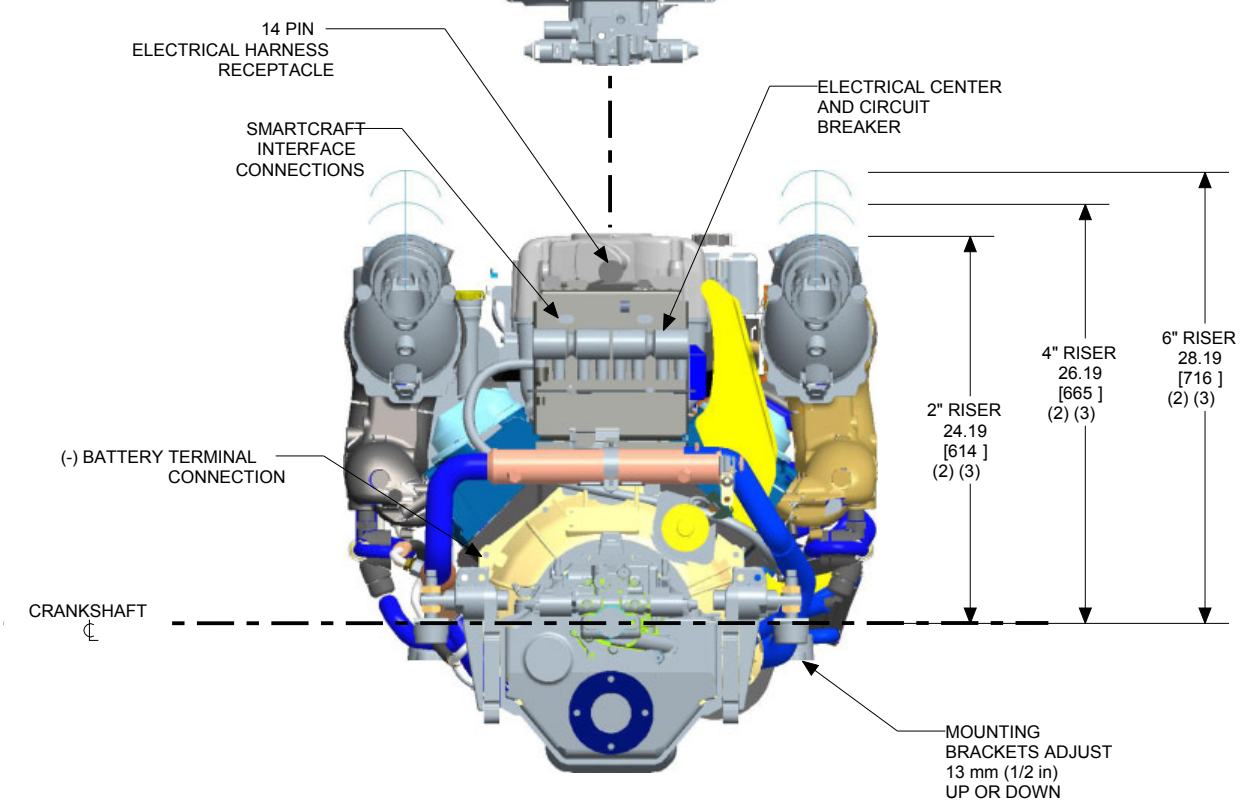
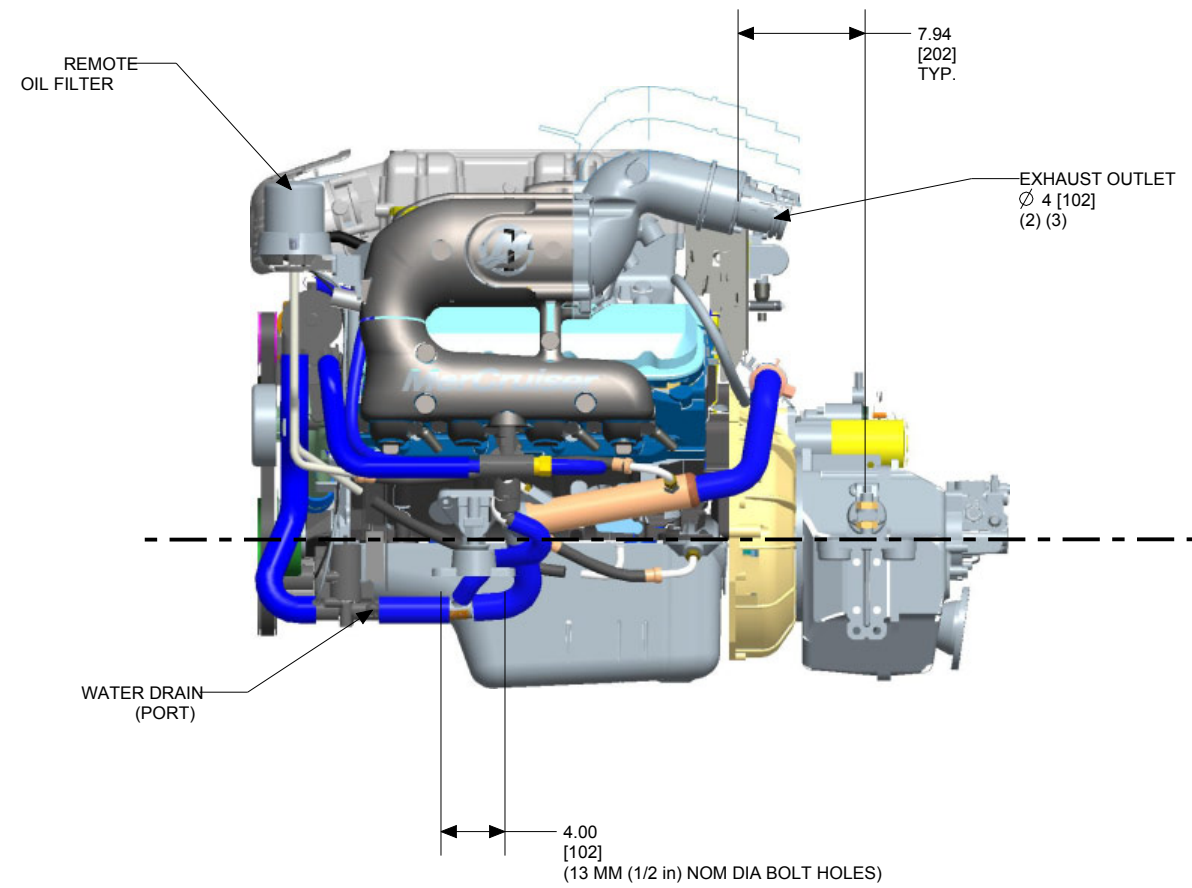
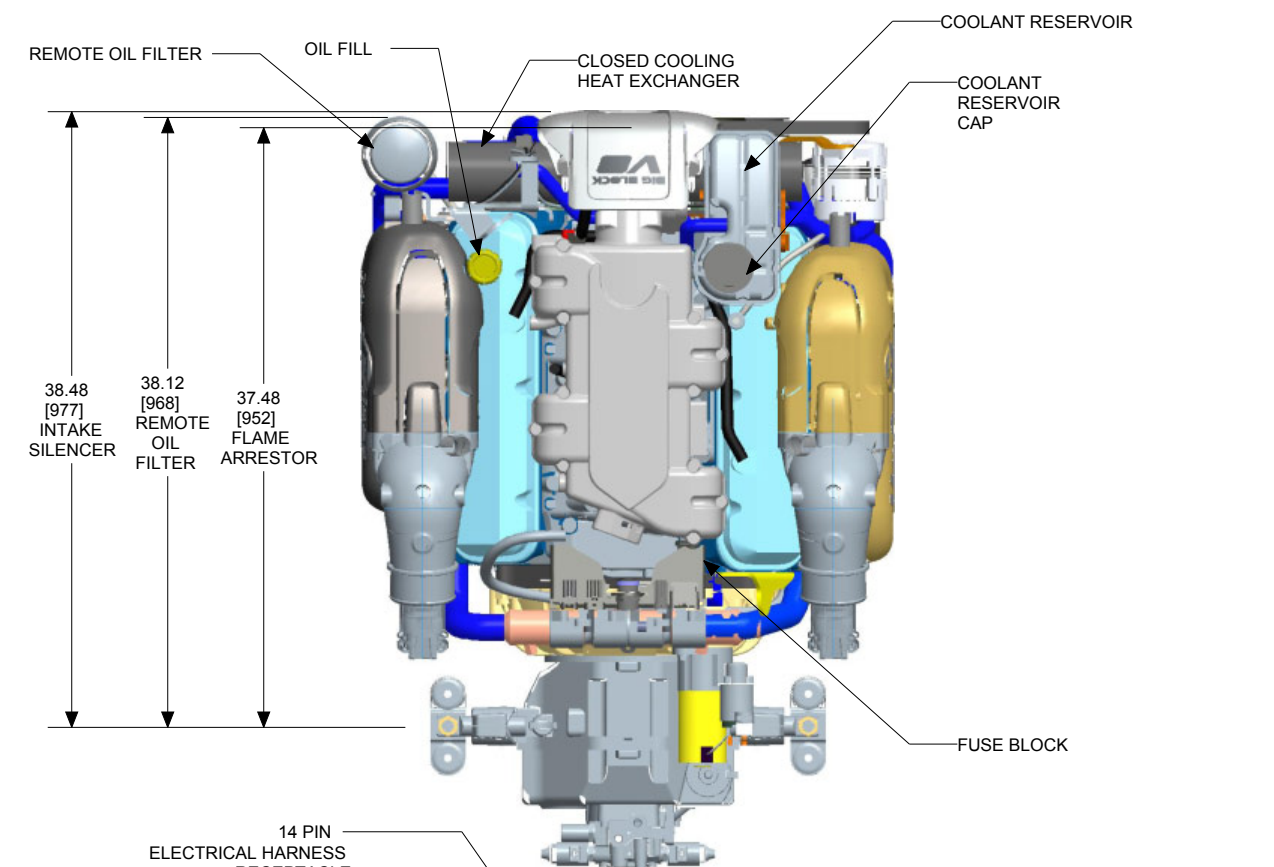
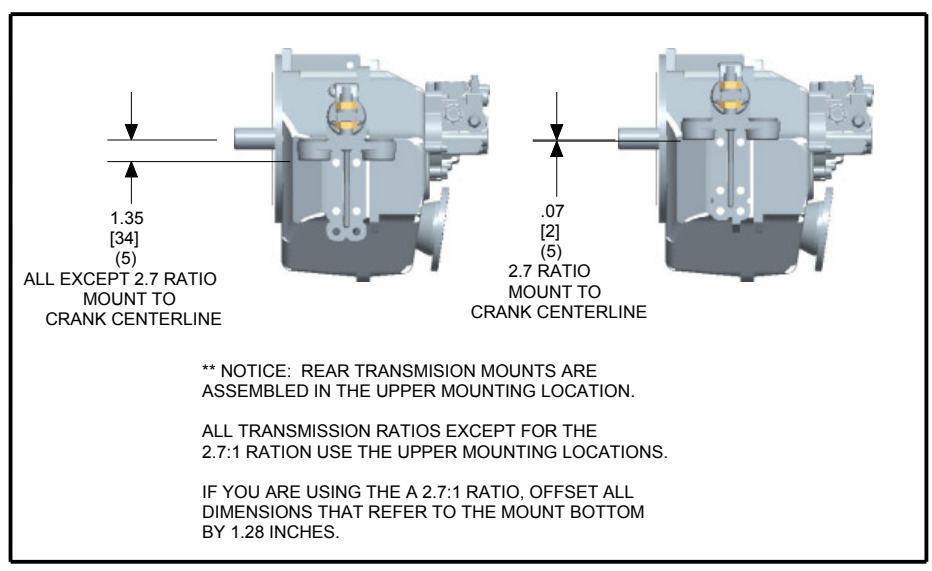
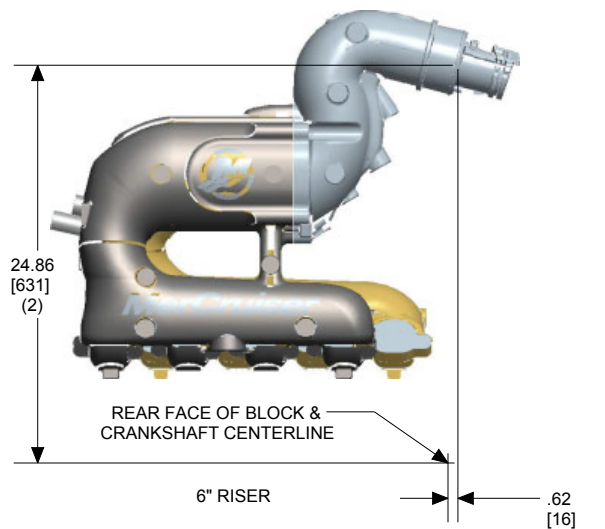
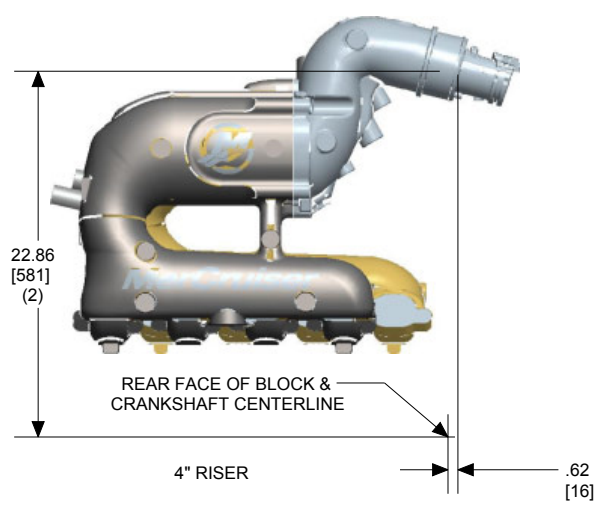
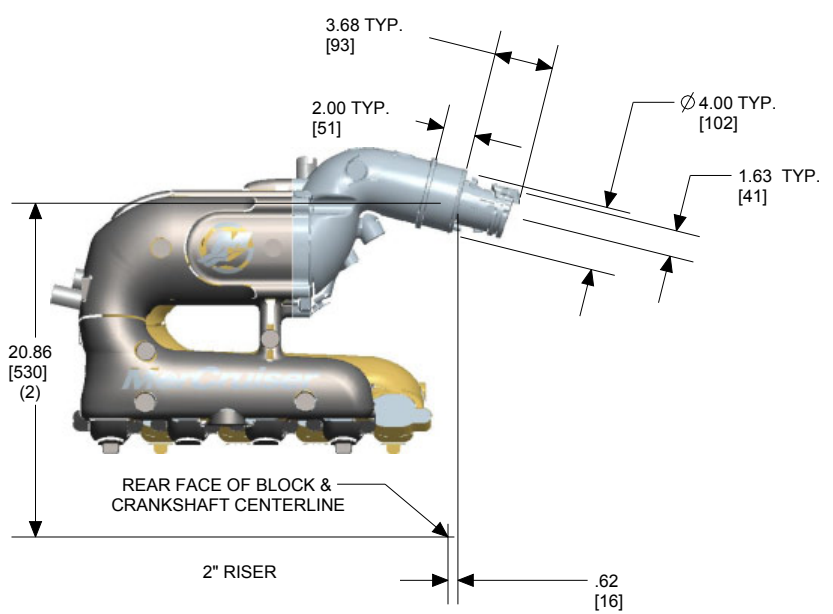


OUTPUT FLANGE
(SAE NO. 510)



NOTES:
 (1) REFER TO THE APPLICATION MANUAL FOR COMPLETE PRODUCT INSTALLATION REQUIREMENTS.
 (2) DIMENSIONS REQUIRE A MINIMUM OF 1/2 in. (13 mm) CLEARANCE FOR MOTOR MOUNT DEFLECTION.
 (3) DIMENSIONS APPLY TO POINT OF INTERSECTION OF OUTPUT SHAFT CENTERLINE AND OUTPUT FLANGE FACE.
 (4) DIMENSIONS TO SEA WATER PUMP INLET
 (5) BASE OF MOUNT TO BE PARALLEL TO STRINGER. MOUNT SHOWN AT CENTER OF ADJUSTMENT.

8M0071383 8.2MAG EC STAGE 2 ZF 63A TRANSMISSION	REVISION	UNITS	SCALE	SHEETS	
	A	in (mm)	1" = 1' 25.4 mm = 305 mm	1 of 2	



NOTES:

- REFER TO THE APPLICATION MANUAL FOR COMPLETE PRODUCT INSTALLATION REQUIREMENTS.
- DIMENSIONS REQUIRE A MINIMUM OF 1/2 in. (13 mm) CLEARANCE FOR MOTOR MOUNT DEFLECTION.
- DIMENSIONS APPLY TO POINT OF INTERSECTION OF OUTPUT SHAFT CENTERLINE AND OUTPUT FLANGE FACE.
- DIMENSIONS TO SEA WATER PUMP INLET
- BASE OF MOUNT TO BE PARALLEL TO STRINGER. MOUNT SHOWN AT CENTER OF ADJUSTMENT.

8M0071383	REVISION	UNITS	SCALE	SHEETS
8.2MAG EC STAGE 2	A	in (mm)	1" = 1' 25.4 mm = 305 mm	2 OF 2
ZF 63A TRANSMISSION				