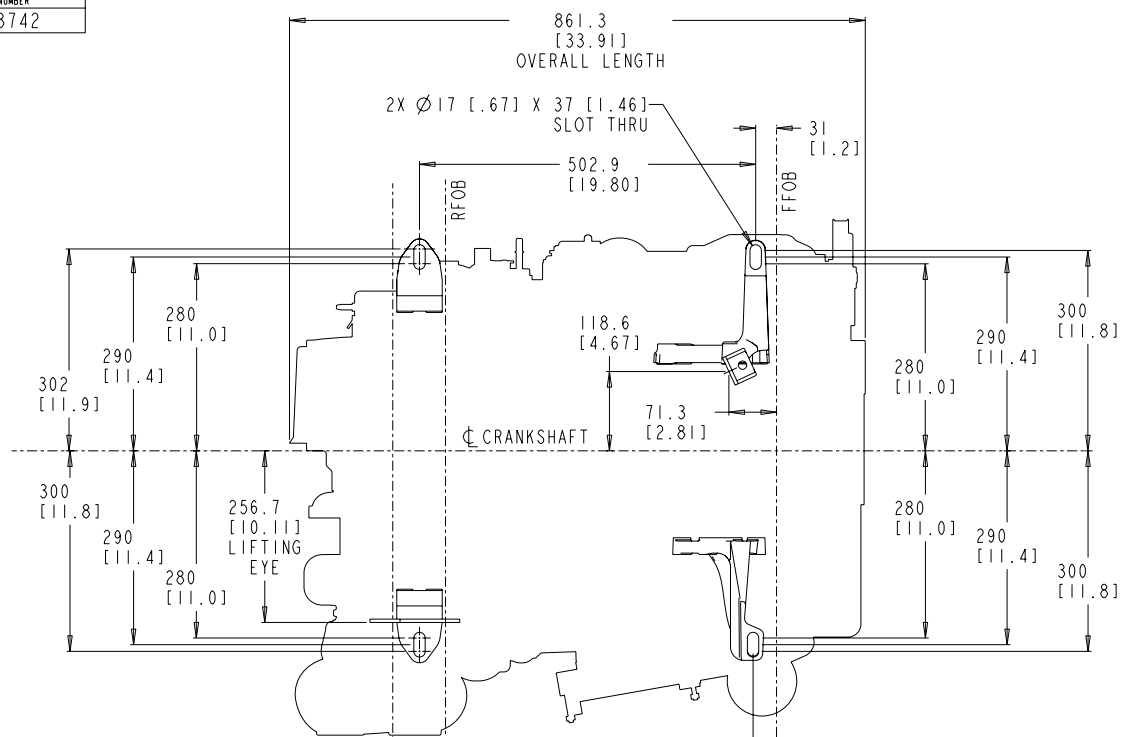
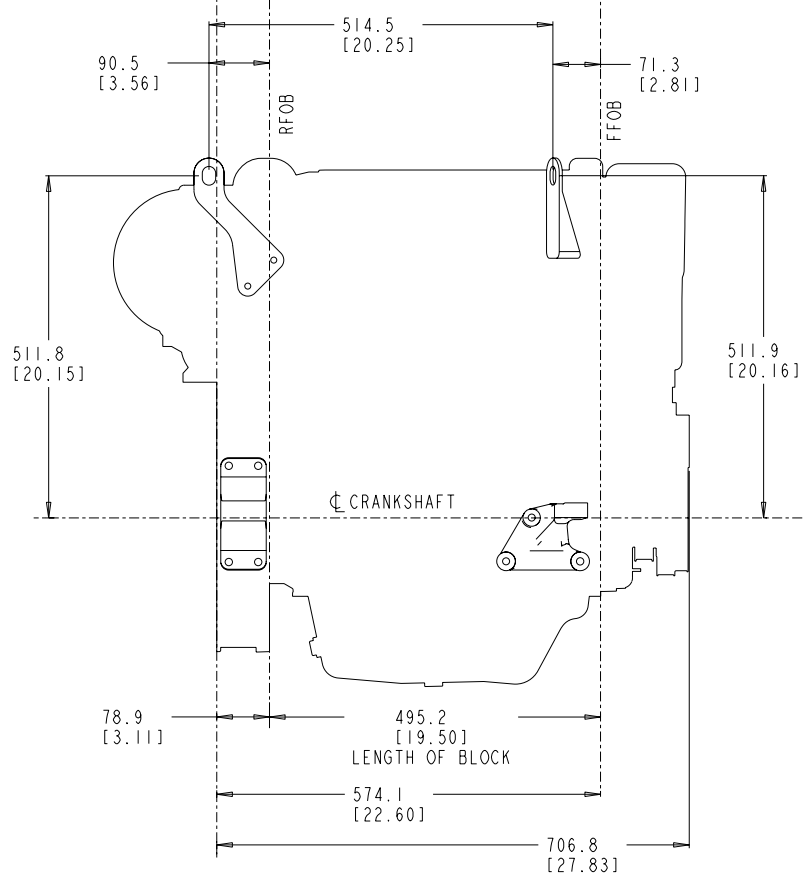


ITEM NUMBER
4953742

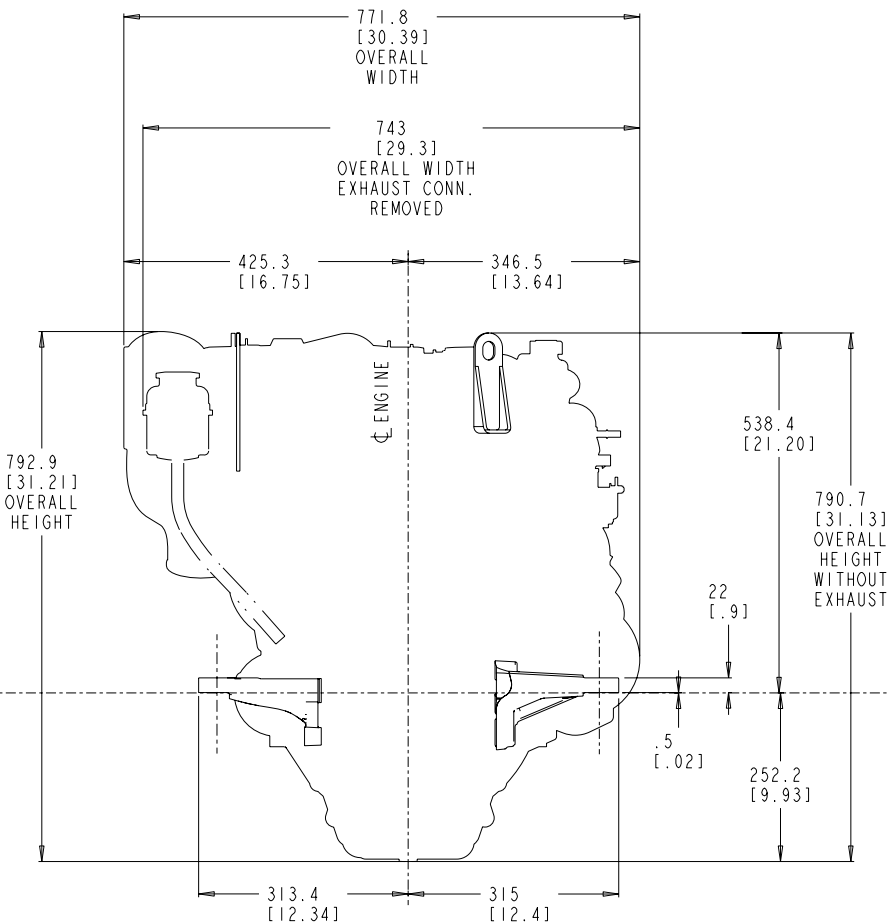
REVISIONS			
ZONE	REV	DESCRIPTION	APP'D
00	RELEASED		



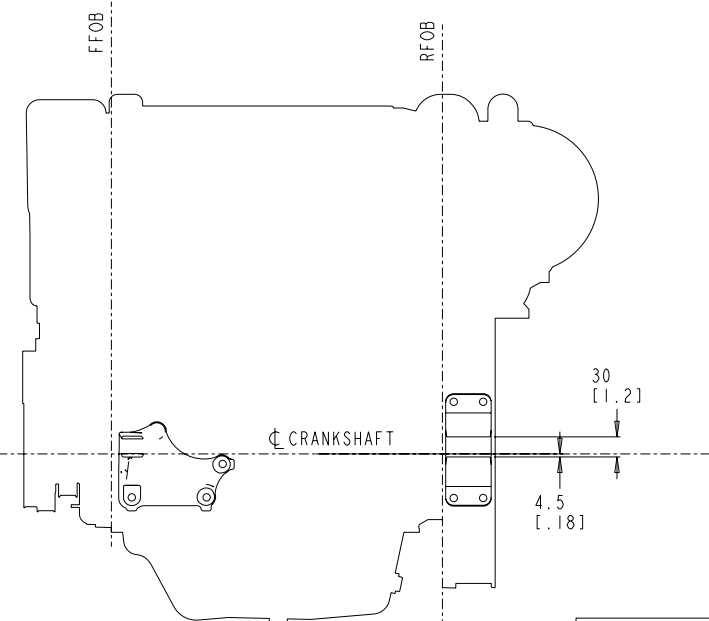
TOP VIEW



EXHAUST SIDE

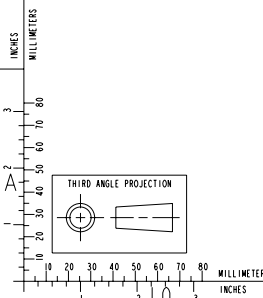


FRONT VIEW



FUEL PUMP SIDE

TABLE OF CONTENTS	
DRAWING / SUB-SYSTEM	SHEET
DIMENSION OUTLINE	1
ASSEMBLY DRAWING	2
ELECTRICAL SYSTEM	3
MOUNTING SYSTEM	4
EXHAUST SYSTEM	5



DO NOT SCALE THIS DRAWING

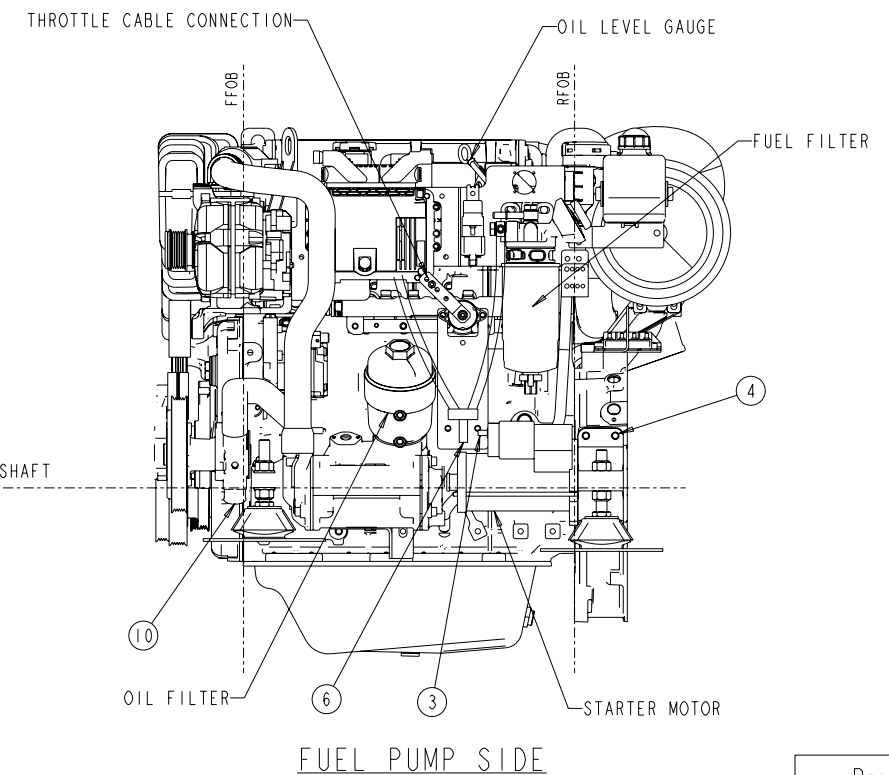
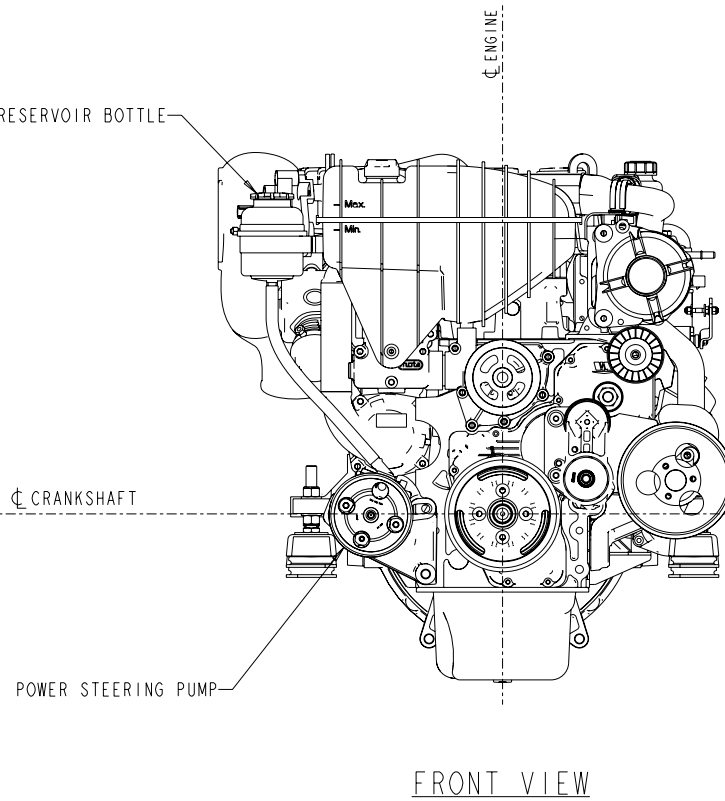
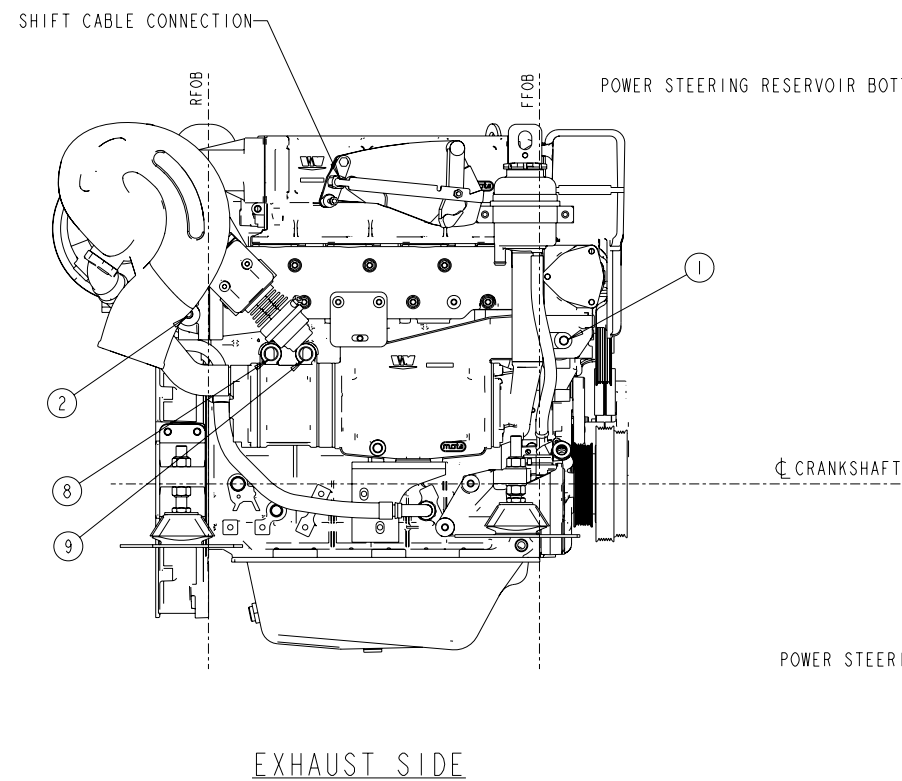
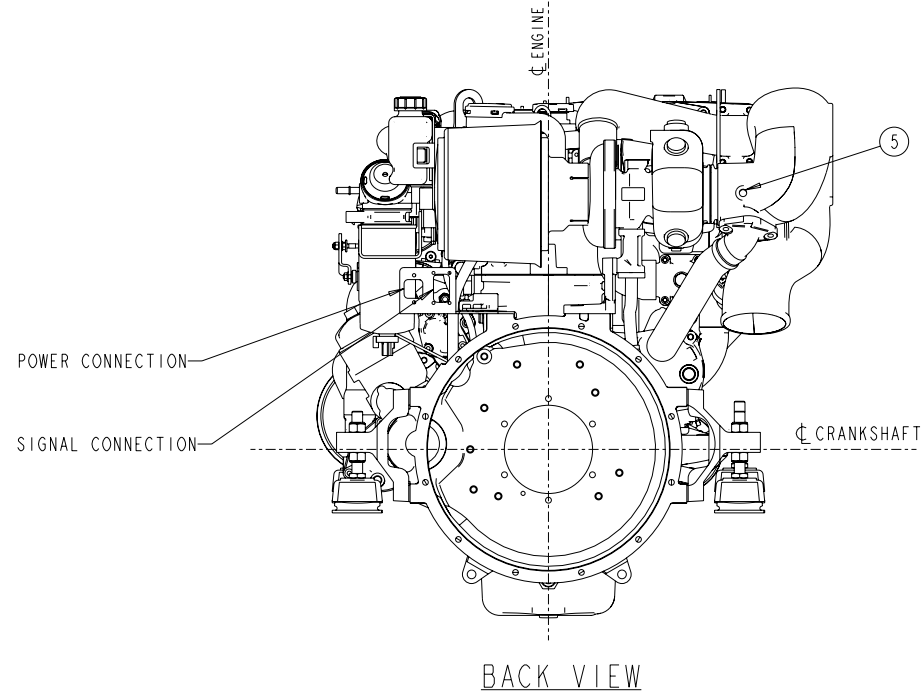
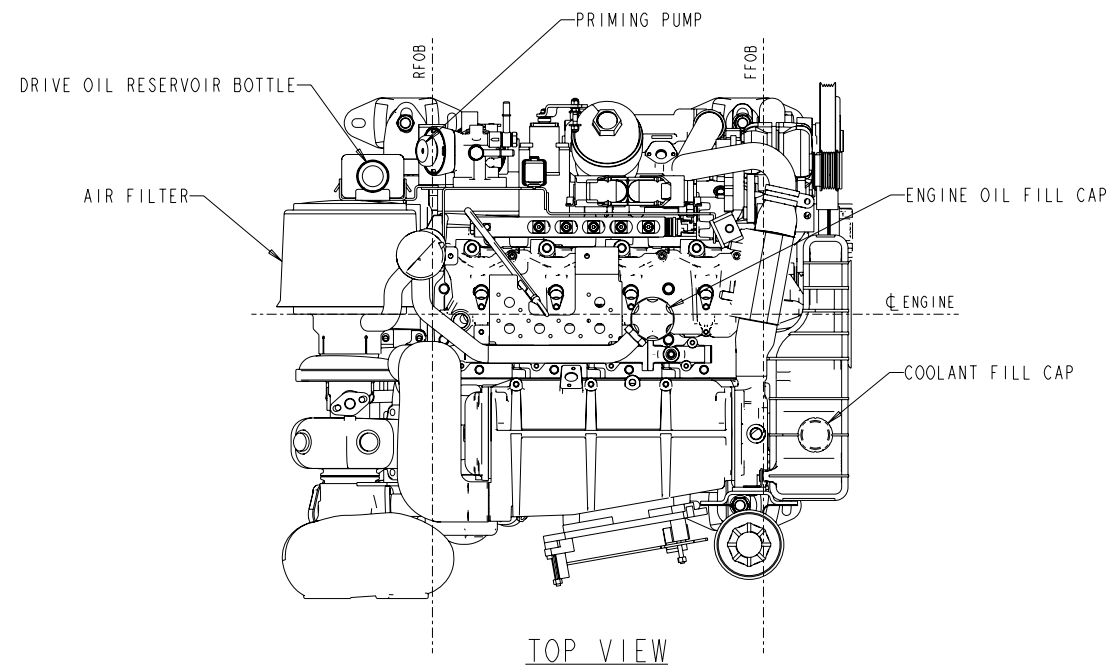
THIS DRAWING/DATA FILE (AND THE INFORMATION SHOWN THEREON) IS CONFIDENTIAL AND PROPRIETARY AND SHALL NOT BE USED, DISCLOSED TO OTHERS, OR REPRODUCED BY ANY MEANS FOR ANY PURPOSE IN HARD COPY FORM OR IN MACHINE READABLE FILES, WITHOUT WRITTEN CONSENT OF CUMMINS INC., MARKETING CAD SERVICES DEPARTMENT.

PRODUCT GRAPHICS FILE
NO ORIGINAL DRAWING EXISTS FOR THIS ITEM. THE ENGINEERING GRAPHICS DATA FOR THIS ITEM RESIDES IN THE PRODUCT GRAPHICS FILE AND IS CONTROLLED BY THE AGENCY DESIGNATED AS HAVING ITEM CONTROL.

LAST SECTION LETTER USED: NA	REF. DRAWING STANDARDS: ANSI Y14.5M ISO 81101	CUMMINS INC.	
UNLESS OTHERWISE SPECIFIED DIMENSIONS ARE IN: MM 1:1 ARE IN: IN	ITEM NAME QSD 2.8L SUBSYSTEM	IDENTIFIER	ITEM NUMBER
DWN: D. SOMIN CHD: UNCHECKED APPD:	SIZE CODE (IDENT. NO.): J	4953742	
	SCALE: 25	ITEM CONTROL: MCS	SHEET 1 OF 5

ITEM NUMBER
4953742

REVISIONS			
ZONE	REV	DESCRIPTION	APP'D
00	RELEASED		D.SOMIN 11-13-98



SERVICE CONNECTIONS/TEST PORTS

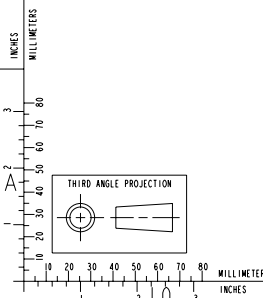
1	AUX. HEATER RETURN	Ø 15.9 [.625]	6	FUEL INLET	Ø 8.0 [.3125]
2	AUX. HEATER SUPPLY	Ø 15.9 [.625]	7	FUEL RETURN	N/A
3	BATTERY (+)	M10 X 1.5	8	POWER STEERING/GEAR OIL COOLER INLET	Ø 9.52 [.375]
4	BLOCK GROUND (-)	M10 X 1.5	9	POWER STEERING/GEAR OIL COOLER OUTLET	Ø 6.35 [.25]
5	EXHAUST TEMP/BACK PRESS.	[1/4 NPT]	10	SEAWATER INLET	Ø 38.1 [1.5]

PRODUCT GRAPHICS FILE
NO ORIGINAL DRAWING EXISTS FOR THIS ITEM. THE ENGINEERING GRAPHICS DATA FOR THIS ITEM RESIDES IN THE PRODUCT GRAPHICS FILE AND IS CONTROLLED BY THE AGENCY DESIGNATED AS HAVING ITEM CONTROL.

DO NOT SCALE THIS DRAWING

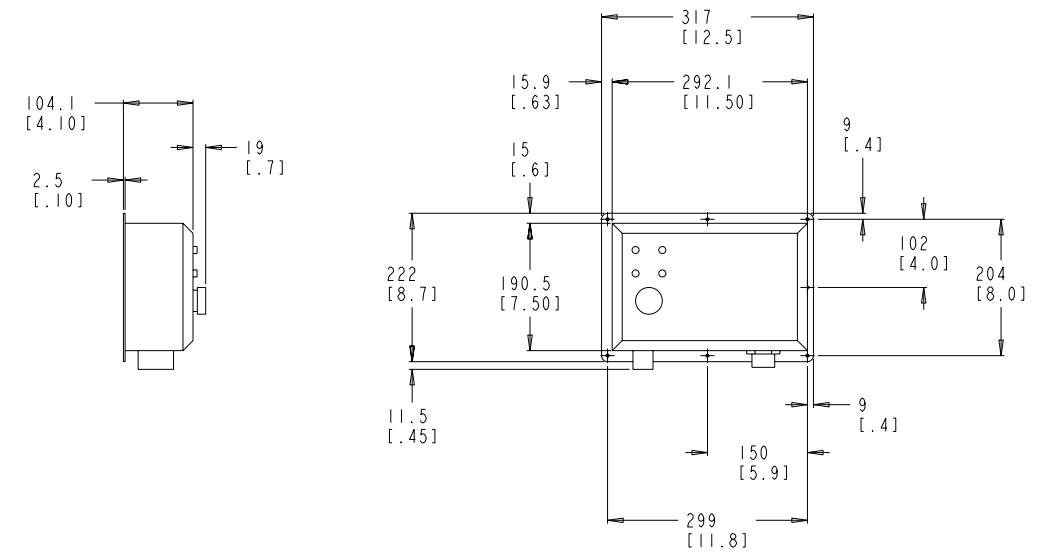
THIS DRAWING/DATA FILE (AND THE INFORMATION SHOWN THEREON) IS CONFIDENTIAL AND PROPRIETARY AND SHALL NOT BE USED, DISCLOSED TO OTHERS, OR REPRODUCED BY ANY MEANS FOR ANY PURPOSE IN HARD COPY FORM OR IN MACHINE READABLE FILES, WITHOUT WRITTEN CONSENT OF CUMMINS INC., MARKETING CAD SERVICES DEPARTMENT.

LAST SECTION LETTER USED: NA	REF. DRAWING STANDARDS: ANSI Y14.5M ISO 81101	CUMMINS INC.	
UNLESS OTHERWISE SPECIFIED DIMENSIONS ARE IN: MM () ARE IN: IN		ITEM NAME QSD 2.8L SUBSYSTEM	IDENTIFIER
DWN: D.SOMIN	11-13-98	SIZE CODE IDENT. NO.	ITEM NUMBER
CHD: UNCHECKED		J	4953742
APPD:		SCALE: 25	ITEM CONTROL: MCS
			SHEET 2 OF 5

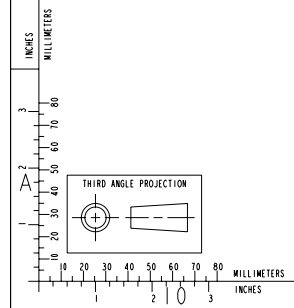


ITEM NUMBER
4953742

REVISIONS			
ZONE	REV	DESCRIPTION	APP'D
00	RELEASED		



EG8701



ELECTRICAL SYSTEM

DO NOT SCALE THIS DRAWING

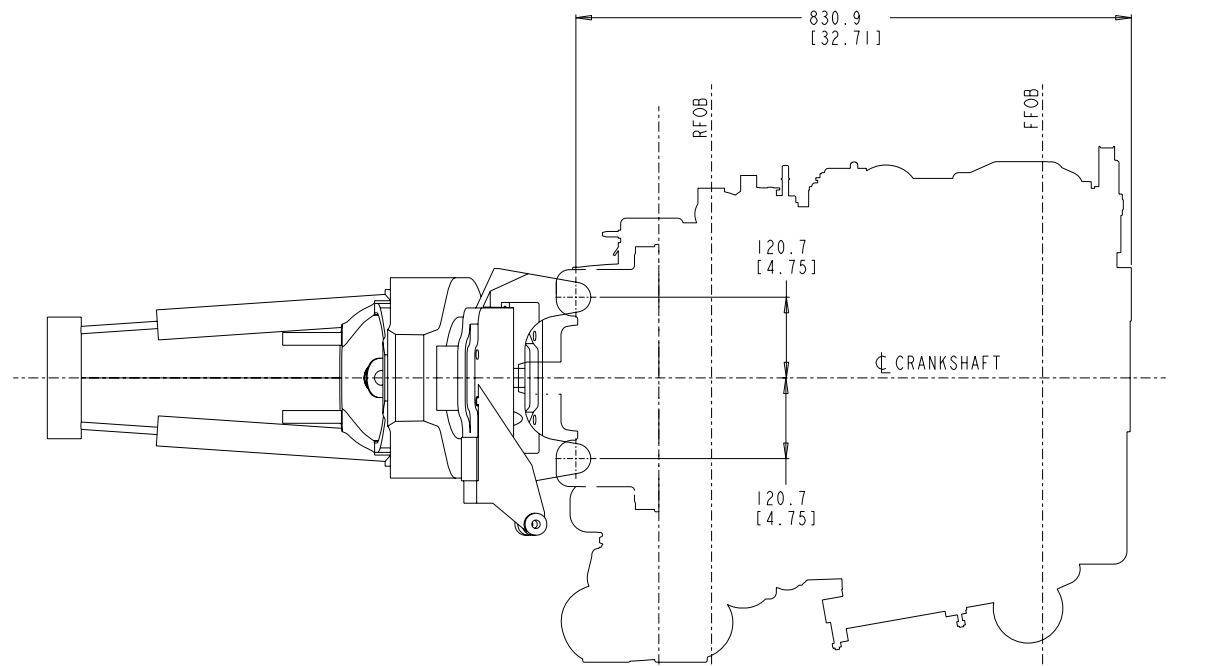
THIS DRAWING/DATA FILE (AND THE INFORMATION SHOWN THEREON) IS CONFIDENTIAL AND PROPRIETARY AND SHALL NOT BE USED, DISCLOSED TO OTHERS, OR REPRODUCED BY ANY MEANS FOR ANY PURPOSE IN HARD COPY FORM OR IN MACHINE READABLE FILES, WITHOUT WRITTEN CONSENT OF CUMMINS INC., MARKETING CAD SERVICES DEPARTMENT.

PRODUCT GRAPHICS FILE
NO ORIGINAL DRAWING EXISTS FOR THIS ITEM. THE ENGINEERING GRAPHICS DATA FOR THIS ITEM RESIDES IN THE PRODUCT GRAPHICS FILE AND IS CONTROLLED BY THE AGENCY DESIGNATED AS HAVING ITEM CONTROL.

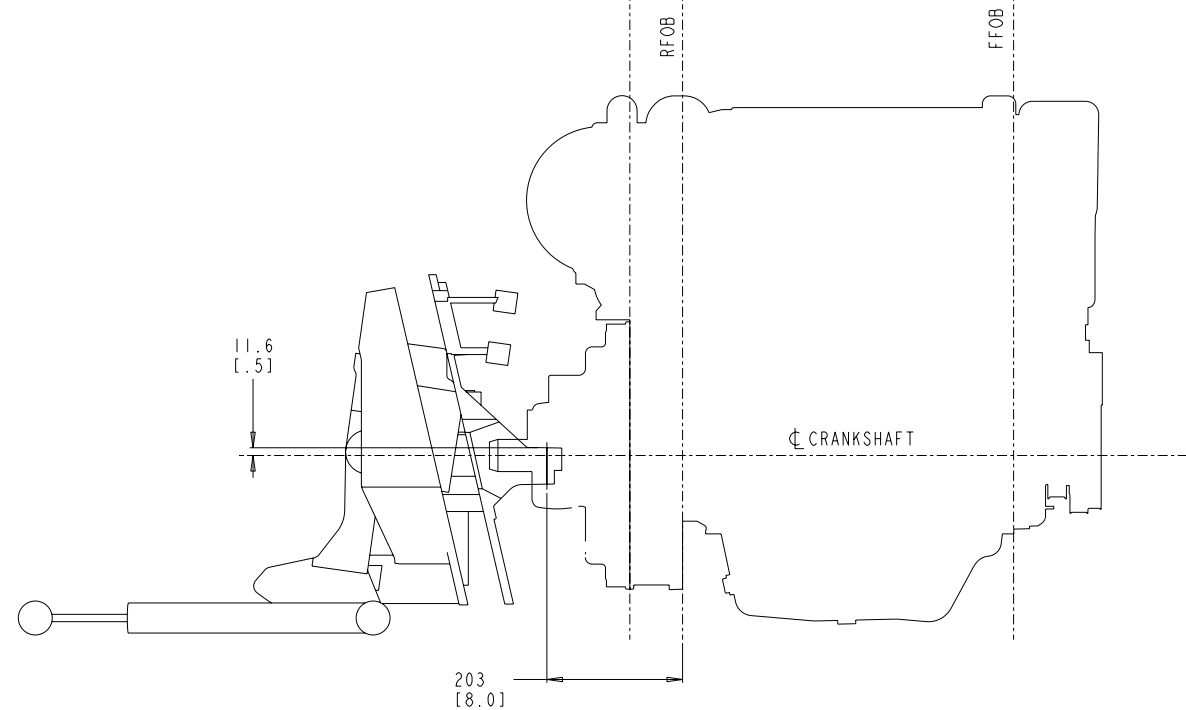
LAST SECTION LETTER USED: NA	REF. DRAWING STANDARDS: ANSI Y14.5M ISO 81101	CUMMINS INC.	
UNLESS OTHERWISE SPECIFIED DIMENSIONS ARE IN: MM 1 3 ARE IN: IN		ITEM NAME QSD 2.8L SUBSYSTEM	IDENTIFIER
DWN: D. SOWIN	11-19-04	SIZE CODE (IDENT. NO.)	ITEM NUMBER
CHD: UNCHECKED		J	4953742
APPD: ..		SCALE: 25	ITEM CONTROL: MCS
			SHEET 3 OF 5

ITEM NUMBER
4953742

REVISIONS			
ZONE	REV	DESCRIPTION	APP'D
00	RELEASED		



TOP VIEW



EXHAUST VIEW

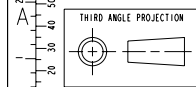
SA9064

MOUNTING SYSTEM

PRODUCT GRAPHICS FILE
NO ORIGINAL DRAWING EXISTS FOR THIS ITEM. THE ENGINEERING GRAPHICS DATA FOR THIS ITEM RESIDES IN THE PRODUCT GRAPHICS FILE AND IS CONTROLLED BY THE AGENCY DESIGNATED AS HAVING ITEM CONTROL.

LAST SECTION LETTER USED: NA	REF. DRAWING STANDARDS: ANSI Y14.5M ISO 81101	CUMMINS INC.	
UNLESS OTHERWISE SPECIFIED DIMENSIONS ARE IN: MM () ARE IN: IN		ITEM NAME QSD 2.8L SUBSYSTEM	IDENTIFIER
DWN: D. SOMIN	UNCHECKED	SCALE: 25	ITEM NUMBER 4953742
APPD:		ITEM CONTROL: MCS	SHEET 4 OF 5

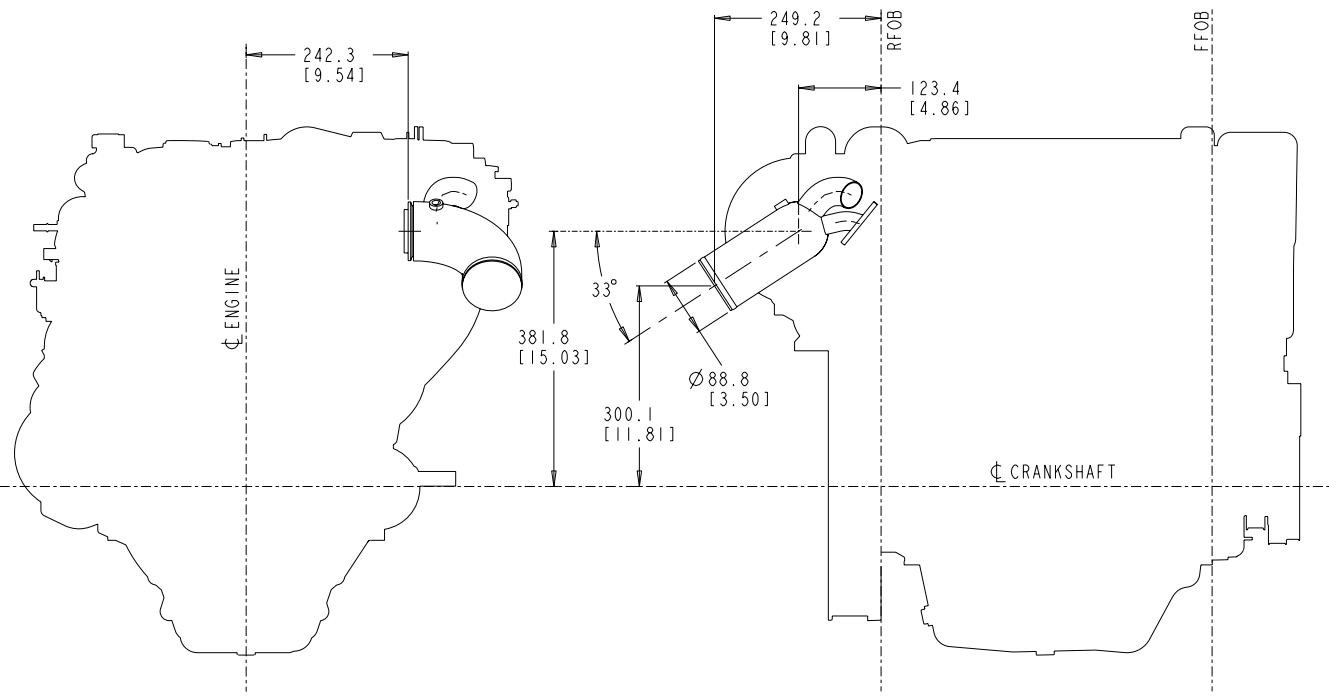
DO NOT SCALE THIS DRAWING
THIS DRAWING/DATA FILE (AND THE INFORMATION SHOWN THEREON) IS CONFIDENTIAL AND PROPRIETARY AND SHALL NOT BE USED, DISCLOSED TO OTHERS, OR REPRODUCED BY ANY MEANS FOR ANY PURPOSE IN HARD COPY FORM OR IN MACHINE READABLE FILES, WITHOUT WRITTEN CONSENT OF CUMMINS INC., MARKETING CAD SERVICES DEPARTMENT.



INCHES
MILLIMETERS

ITEM NUMBER
4953742

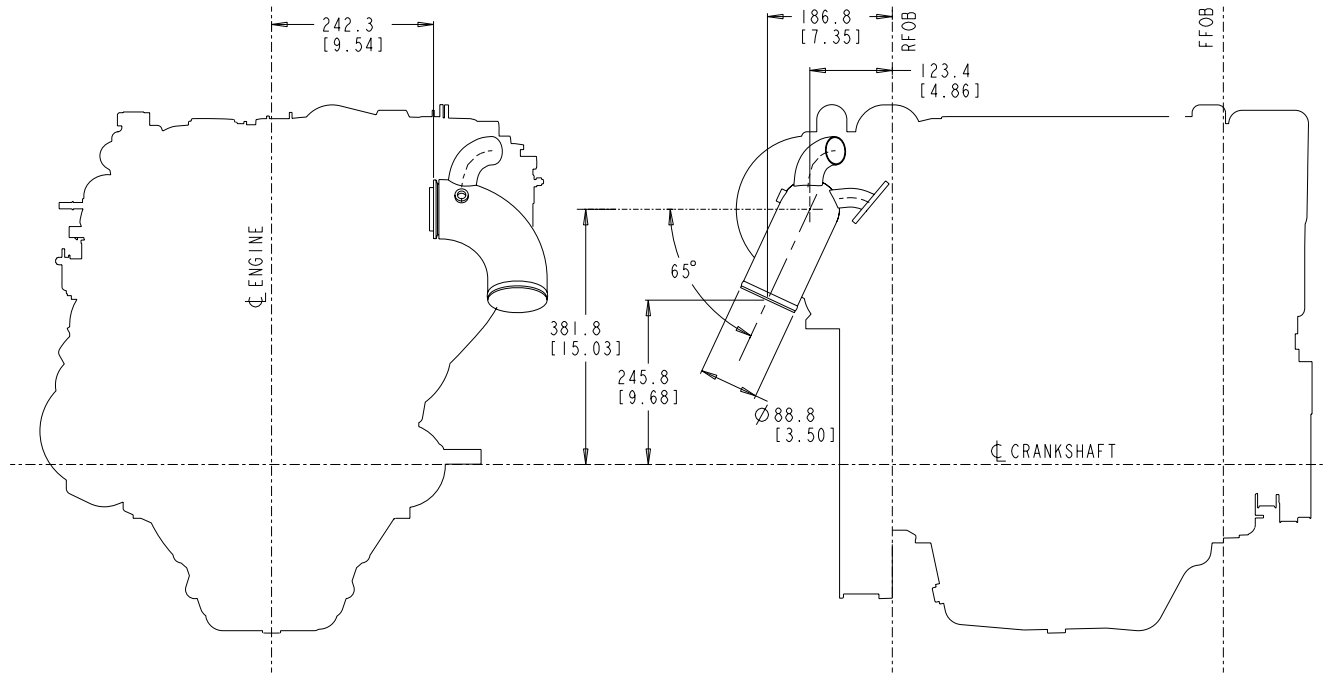
REVISIONS			
ZONE	REV	DESCRIPTION	APP'D
00	RELEASED		



BACK VIEW

XS9295

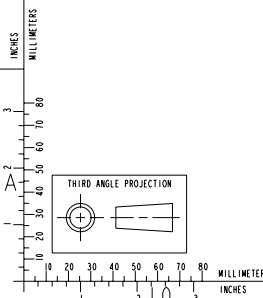
EXHAUST SIDE



BACK VIEW

XS9296

EXHAUST SIDE



EXHAUST SYSTEM

DO NOT SCALE THIS DRAWING

THIS DRAWING/DATA FILE (AND THE INFORMATION SHOWN THEREON) IS CONFIDENTIAL AND PROPRIETARY AND SHALL NOT BE USED, DISCLOSED TO OTHERS, OR REPRODUCED BY ANY MEANS FOR ANY PURPOSE IN HARD COPY FORM OR IN MACHINE READABLE FILES, WITHOUT WRITTEN CONSENT OF CUMMINS INC., MARKETING CAD SERVICES DEPARTMENT.

PRODUCT GRAPHICS FILE
NO ORIGINAL DRAWING EXISTS FOR THIS ITEM. THE ENGINEERING GRAPHICS DATA FOR THIS ITEM RESIDES IN THE PRODUCT GRAPHICS FILE AND IS CONTROLLED BY THE AGENCY DESIGNATED AS HAVING ITEM CONTROL.

LAST SECTION LETTER USED: NA	REF. DRAWING STANDARDS: ANSI Y14.5M ISO 81101	CUMMINS INC.	
UNLESS OTHERWISE SPECIFIED DIMENSIONS ARE IN: MM 1:1 ARE IN: IN	ITEM NAME QSD 2.8L SUBSYSTEM	IDENTIFIER	
DWN: D. SOMIN CHD: UNCHECKED APPD:	SCALE: 2:1	SIZE CODE (IDENT. NO.) J	ITEM NUMBER 4953742
		ITEM CONTROL: MCS	SHEET 5 OF 5